

APEX

MATERIAL HANDLING EQUIPMENTS



PIPE FRAME TROLLEY

USEFUL FOR

Food

Pharma

Plastic

Hotel

Hospital

Electronic

Engineering

Warehouses

INDUSTRIES



Strong & Smart

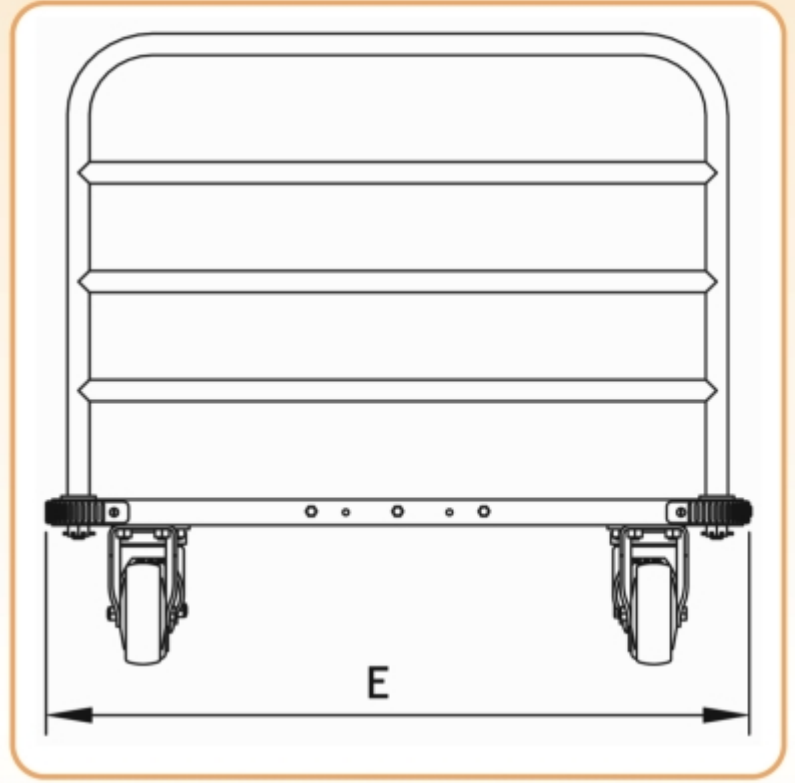
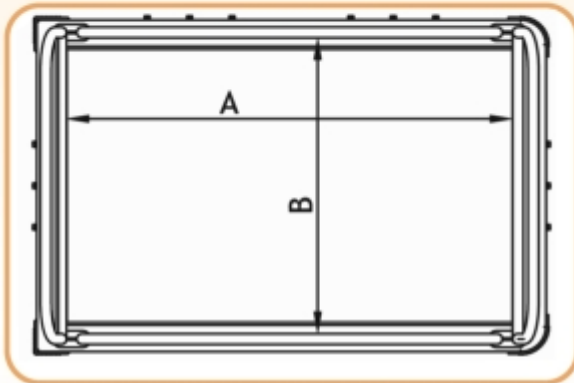
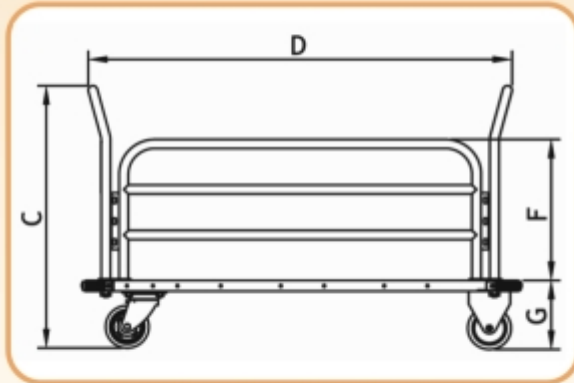
Apex pipe frame trolley is built with smart body and smartly designed to look attractive.

Smooth Operation

These pipe frame trolley are designed to offer a very smooth and easy operation to the user.

Openable side frame

In this trolley we can easily open side frame for maintenance or transport purposes.



A. All dimensions in mm.

B. Design & Specifications are subject to change without prior notice.

TECHNICAL SPECIFICATIONS

CODE	A	B	C	D	E	F	G	WHEEL SIZE	WHEELS OPTION	WEIGHT	LOAD CAPACITY	COLOUR
PT3/H3/SF/PU	1155	715	930	1350	840	500	225	150X50	2 Swivel & 2 Fixed with Polyurethane Wheel	72 kg	650 kg	orange
PT3/H3/SF/NY	1155	715	930	1350	840	500	225	150X50	2 Swivel & 2 Fixed with Nylon Wheel	72 kg	650 kg	orange
PT4/H3/SF/PU	1320	895	960	1530	1020	500	280	200X50	2 Swivel & 2 Fixed with Polyurethane Wheel	92 kg	1000 kg	orange
PT4/H3/SF/NY	1320	895	960	1530	1020	500	280	200X50	2 Swivel & 2 Fixed with Nylon Wheel	92 kg	1000 kg	orange

Authorized Dealer