



### Strong & Smart

Apex Hand Pallet Truck is built with smart body and smartly designed to look attractive.

### Smooth Operation

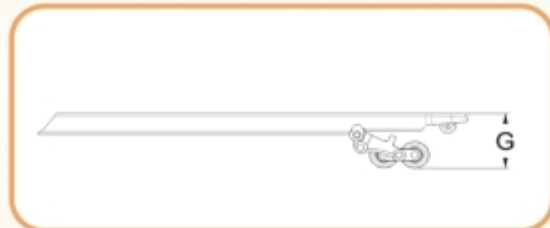
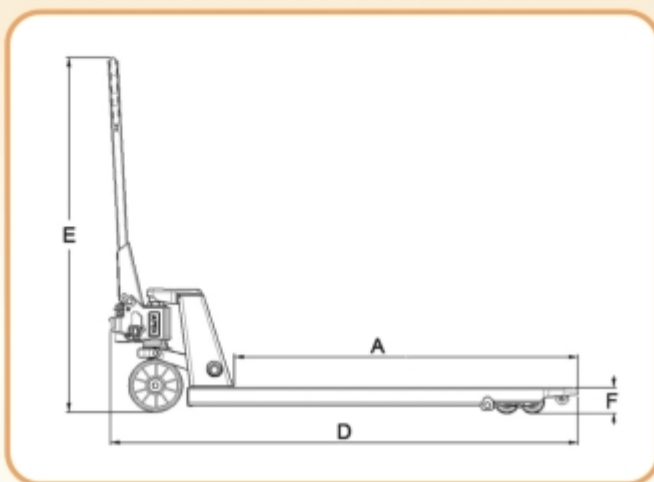
These pallet trucks are designed to offer a very smooth and easy operation to the user.

### Easy Maintenance

Our pallet is easy and inexpensive to maintain with our genuine parts, that are easily available.

Apex is introducing its new Hand Pallet Truck to widen its material handling equipments series. This heavy duty Hand Pallet Truck is indigenously manufactured and based on Indian Technology. Our Integrated Casting Hydraulic Pump is easy and inexpensive to maintain with genuine spare parts that are easily available. Reliable oil leak proof hydraulic system enhance the life and effectiveness of our Hand Pallet Truck. Adjustable Pump cap ensures a long and easy service life.

Our Hand Pallet Truck is easy to maneuver with 210 degree turning radius. Our Hand Pallet Truck can easily handle heavier pallets, thus decreasing the number of movements. With a high lift of 200mm, a wide range of pallets can be handled. Apex Hand Pallet Truck is available in Nylon, PU and Cast Iron wheels to meet different surface needs.



### TECHNICAL SPECIFICATIONS

PARTICULARS		UNIT	HPT/A1T3	HPT/A1T2.5	HPT/A2T3
Load Capacity		Tons	3.0	2.5	3.0
Fork Length	( A )	mm	1150	1150	1150
Fork Width	( B )	mm	160	160	160
Overall Fork Width	( C )	mm	550	550	685
Overall Length	( D )	mm	1570	1570	1570
Overall Height	( E )	mm	1230	1230	1230
Min. Fork Height	( F )	mm	90	90	90
Max. Fork Height	( G )	mm	200	200	200
Steering Wheel Size		mm	Ø180 x 50	Ø180 x 50	Ø180 x 50
Size of Loading Wheel		mm	Ø80 x 70	Ø80 x 70	Ø80 x 70
Self Weight		Kg	76	68	80
Wheel Type (Drive/Load)			PU/Nylon/CI	PU/Nylon/CI	PU/Nylon/CI
Colour			Orange	Orange	Orange

Authorized Dealer

